

OSCV-48C

Fiber Optic Vertical Splice Closure (Black)



OSCV-48C is made of high-quality engineering plastic with good strength. It can help splicing, splitting, storage, and management with suitable space, with good water-proof performance. It is suitable for aerial, pole/wall, underground environment.

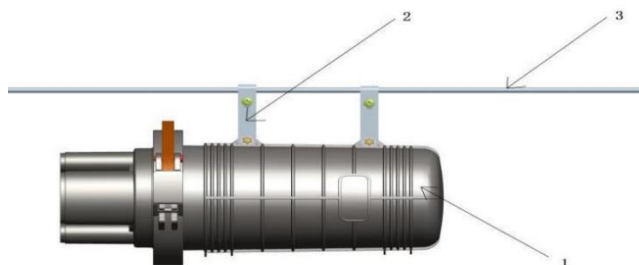
Features:

Specifications	
Material:	ABS, anti UV
Size	288*178 mm
Net Weight	1.5 Kgs
Splice Trays:	4 PCs, each with 12 cores
Splice Tray Dimension	110*93*10 mm
Cable ports	4 x 18mm
Seal	All ports are mechanically sealed
IP Rating	IP68
Mounting	Aerial hanger, pole mounting, underground

*Pole Mounting accessories are optional

Installation:

Aerial Mounting:



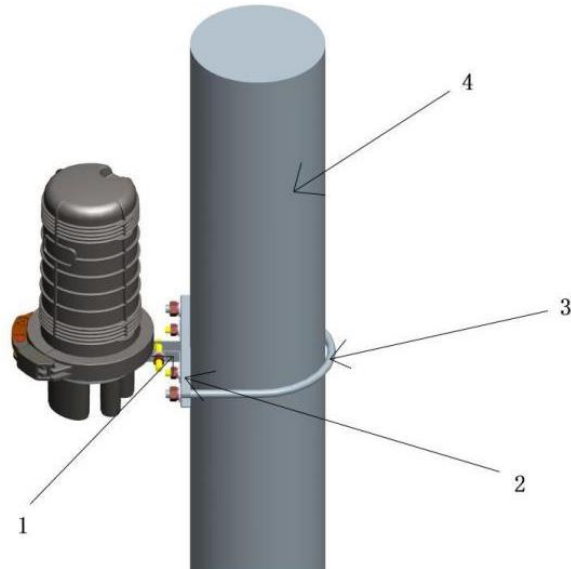
- 1- Fiber Optical Splice Closure
- 2- Hanger
- 3- Steel Wire

OSCV-48C

Fiber Optic Vertical Splice Closure (Black)



Pole Mounting:



- 1- Fixed Plate
- 2- Mounting Plate
- 3- U-Bolt
- 4- Telephone Pole

*Pole Mounting accessories are optional, and not included in standard product

Applications:

- FTTH access network
- Telecommunication Networks
- CATV Networks
- Data communications Networks
- Local Area Networks