

OSCV-288

Dome Fiber Optic Splice Closure



Description:

The OSCV-288 is a big dome type fiber optic splice closure. It has 1 oval cable port to support cable entry without cutting and 16 round cable ports for cable entry and exit. There are 24pcs fiber optic splice tray OST-063 for max. 288 fiber splicing and junction. This closure can be used in temperature -35°C~70°C environment, cold and heat resistant, electrical insulation, chemical corrosion resistance.

Features:

Specifications	
Material	High-Quality PP (polypropylene)
Dimension	φ304.2x502mm
Splice Tray	Max. 24 splice trays for 12 - 24 FO.
Capacity	Normal capacity 288 FO.
Cable ports	17 cable ports: <ul style="list-style-type: none">• 4pcs Φ18mm• 4pcs Φ20mm• 8pcs Φ26mm• 1 oval cable ports for supporting cable entry without cutting.
Seal	Structure is mechanically sealed
IP Rating	IP68
Working Temperature	-35°C to 70°C
Mounting	Wall mounted bracket, pole mounted, aerial hanging, direct buried.

OSCV-288

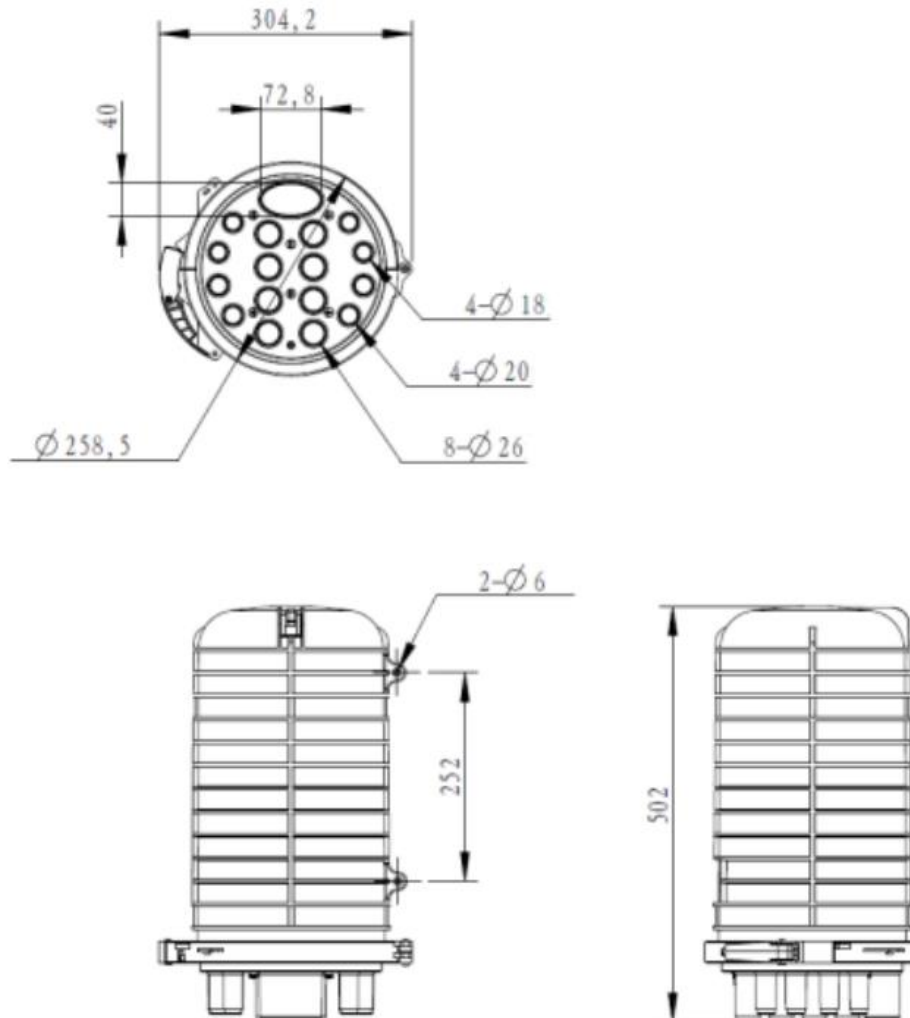
Dome Fiber Optic Splice Closure



Accessories:

Item	Name	Specification	Qty
1	Cable tube	Outside diameter 4.0mm, thickness 0.6mm, plastic, white color	1 meter
2	Cable tie	3mm*120mm, white	12 pcs
3	Heat shrinkable protection sleeve	45mm*2.6*1.2	As per using capacity
4	Round cable port heat shrinkable tube	Φ25*L100mm	8 pcs
5	Round cable port heat shrinkable tube	Φ35*L120mm	8 pcs
6	Oval cable port heat shrinkable tube	Φ60*L150mm	1 pc
7	branching off clip	S size	1pc

Dimension:

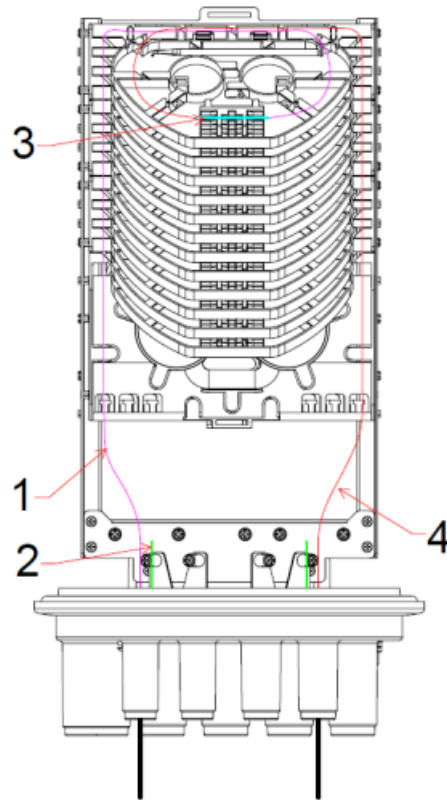


OSCV-288

Dome Fiber Optic Splice Closure



Instruction:



- 1. Input fiber optic cable
- 2. Fiber optic cable strengthen core
- 3. Heat shrinkable protection sleeve
- 4. Output fiber optic cable