

OFT-NTE58

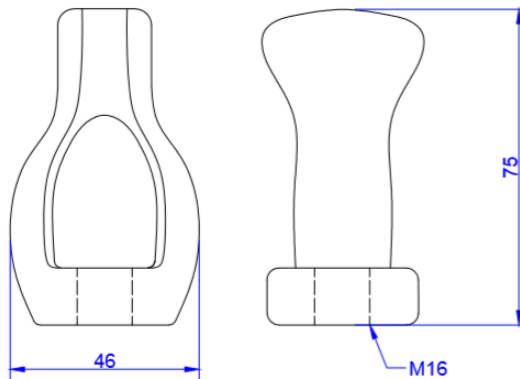
Thimble eye Threaded 5/8" Nut Hot dip Galvanized.



Thimble eye Threaded 5/8" Nut Hot dip Galvanized OFT-NTE58, it is used to attach to through bolts or to the threaded end of straight bolts or angled thimbles for side stays. Forged galvanized steel. Nuts are contoured to minimize tie rod bending and twisting spacing.

Technical Characteristics:

Model	Coating	Materials	Inner eye diameter in inches	Weight
OFT-NTE58	Hot-dipped galvanized	Hot rolled steel	5/8"	41g



Specifications:

- Clamp Bolt M16.
- Clamping Length 75mm.
- 2 set of Track bolt and Square Nuts 5/8".
- Constructed of high-quality steel, hot-dipped galvanized.

OFT-NTE58

Thimble eye Threaded 5/8" Nut Hot dip Galvanized.

