

OFT-EYN58-B

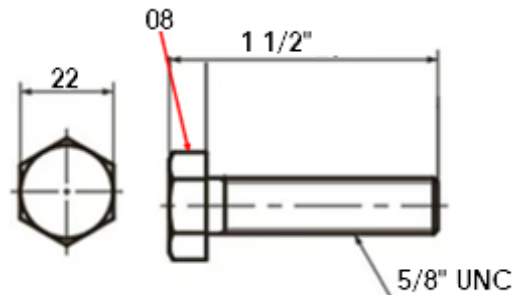
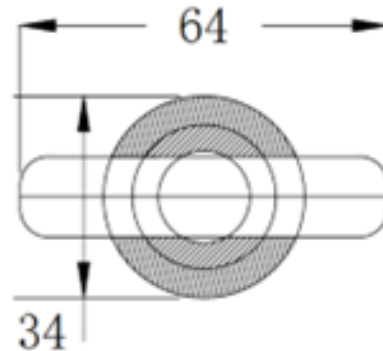
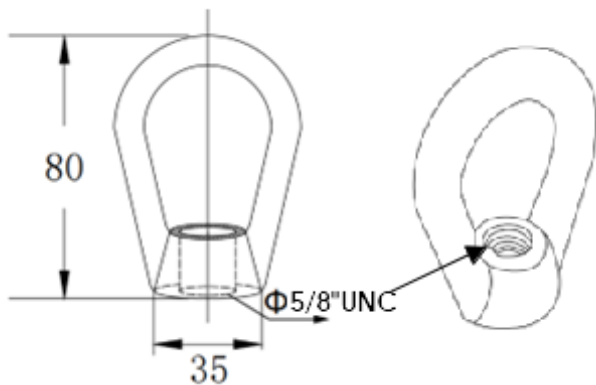
Eye Nut Hot Dipped Galvanized 5/8"UNC with 01 Bolt 5/8 X 1 1/2.



Eye Nut Hot Dipped Galvanized 5/8" UNC with 01 Bolt UNC 5/8" UNC OFT-EYN58-B, it is used to attach to through bolts or to the threaded end of straight bolts or angled thimbles for side stays. Forged galvanized steel. Nuts are contoured to minimize tie rod bending and twisting spacing.

Technical Characteristics:

Model	Coating	Standards compliance with	Nut diameter in inches	Breaking strength
OFT-EYN58-B	Hot-dipped galvanized	IEC61284:1997, GB/T 2314-2008, GB/T2317.4-2008	5/8" UNC	70KN



Specifications:

- Unit: mm
- Nut 5/8" UNC".
- Clamping Length 300m.
- 1 Bolt 5/8" UNC.
- Constructed of high-quality steel, hot-dipped galvanized.