

OFT-CSAI

Cable Storage Assembly - Internal



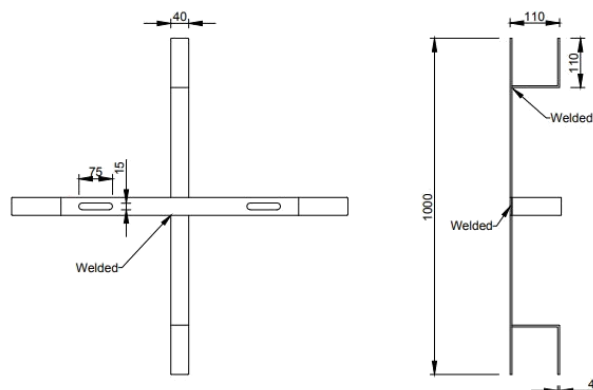
The rest cable stand is used in collecting reserved optical cable on the connecting tower(pole), on strain tower(pole) generally. The cable storage assembly shall be used together with joint box.

Features:

Specifications				
Model	Dimension		Accessories	Cable diameter(mm)
	L (m)	Weight (kg)		
OFT-CSAI 08	800	9	Include pole or tower support	<14.8
OFT-CSAI 10	1000	11.6	Include pole or tower support	14.8~18.8mm
OFT-CSAI 12	1200	13.8	Include pole or tower support	>18.8mm

Material: Hot Dip Galvanized Steel.

Dimensions:



Applications:

- FTTH access network
- Telecommunication Networks
- CATV Networks
- Data communications Networks