

OTB-0648AOHDK-R

48 FO Fiber Optic Termination Box



The OTB-0616AOHDK-R is a Distribution or Termination box, allowing two different configurations according to the application, it allows up to 4 splice trays with 12 supports each) and adapter panel of up to 24 SC adapters. It is possible to install up to 3 connectorized splitters in the 1x8 SC outputs for network expansion or just one 1x16 SC level. Through its oval door it is possible to bleed the main cable, as well as secondary ports, allowing bypassing the network. Drop cables can be 3.0 x 2.0 mm flat.

Features:

Specifications	
Material	ABS Plastic
Color	Black
Dimensions (mm)	380 * 243 * 130 mm
IP Rating	IP68 (Outdoors / Indoors)
Flame Retardant	No
Capacity	24 Ports
Splitter	Compatible with 2x1:8 tube splitter
Sealing Structure	<ul style="list-style-type: none">• With safe special-shaped lock, the box can be opened easily and has good water-proof performance, suitable for indoor and outdoor natural environments
	<ul style="list-style-type: none">• With the independent rubber sealing plug for drop cable, better waterproof performance.
	<ul style="list-style-type: none">• With independent design, the box can be installed and easily maintained.

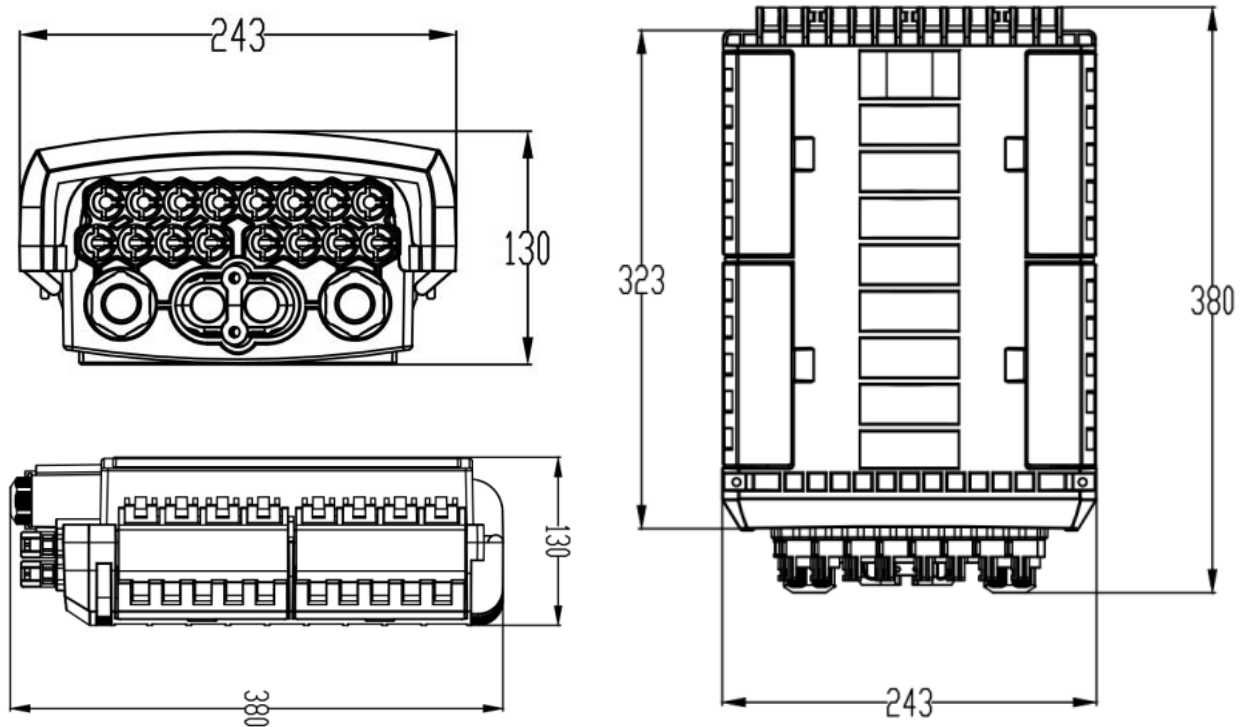
- the fusion and termination are completely separated. The drop leaf can be installed 2 pcs of 1*8 tube splitter.

OTB-0648AOHDK-R

48 FO Fiber Optic Termination Box



Measures:



Applications:

- FTTH access network
- Telecommunication Networks
- CATV Networks
- Data communications Networks
- Local Area Networks