

BWME

19" Wall Mounted Cabinets



BWME wall mounted cabinet series offers a reversible 5mm toughened glass front door with small round lock. Welded frame provides a strong and stable structure. All side panels are easy to open, facilitating operations.

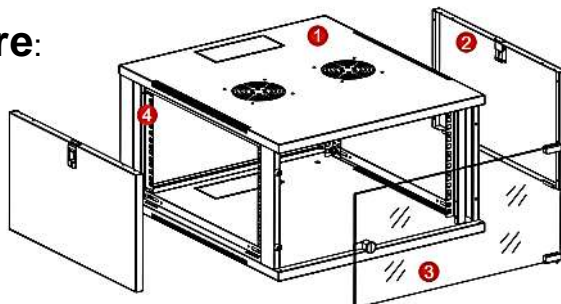
- Standing or wall mount installation, 4pcs feet available when standing
- Removable side panels, easy open to operate.
- Side locks are optional for security.
- Easy and quick installation & maintenance.
- Cable entries on top and bottom for cable entering

Capacity	Width (mm)	Depth (mm)	Height (mm)
BWME6U	540	450	310
BWME9U	540	450	445
BWME12U	540	450	710
BWME18U	540	450	850

Features:

Material	SPCC rolled steel
Thickness	Mounting rails: 1.5mm Others: 1.00mm
Surface	Epoxy powder coated
IP Rating	IP20

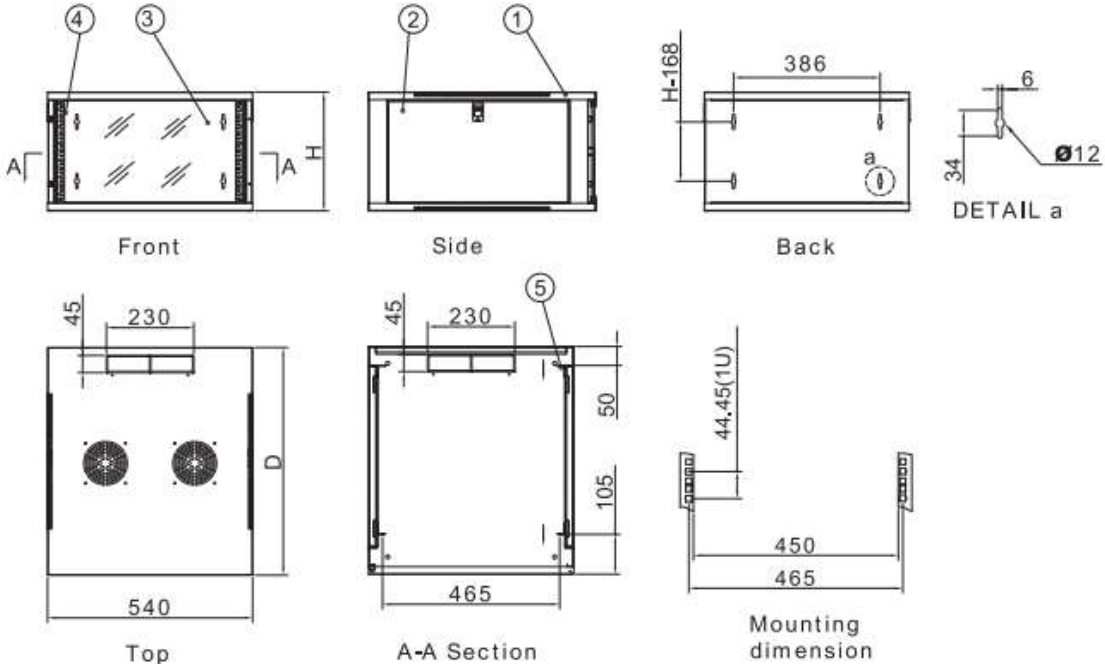
Structure:



- 1- Frame
- 2- Side Panel
- 3- Toughened Glass Front Door
- 4- Mounting Profile

BWME

19" Wall Mounted Cabinets



Applications

- FTTH access network
- Telecommunication Networks
- CATV Networks
- Data communications Networks
- Local Area Networks