

# OSCV-120

Fiber Optic Vertical Closure (Black)

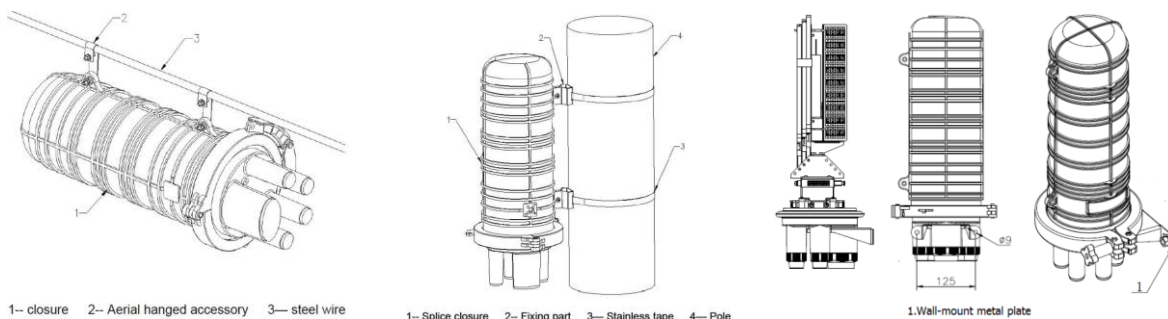


Vertical Fiber Optic Splice Closure OSCV-120 is widely applied to the splicing, distributing variable optical cables.

## Features:

| Specifications |   |
|----------------|---|
| Material       | High-impact Resistance PP with UV (Outer Shell), and ABS plastic (Internal Structure)   |
| Splice Tray    | 5 Pcs, each with 24 cores   |
| Cable ports    | 5 cable ports: <ul style="list-style-type: none"> <li>• 4pcs round port <math>\phi 20\text{mm}</math></li> <li>• 1pc oval port <math>62.5 \times 39.5\text{mm}</math></li> <li>• supports cable entry without cutting.</li> <li>• All cable ports are heat shrink sealing.</li> </ul> |
| Seal           | All ports are mechanically sealed   |
| IP Rating      | IP68  |
| Mounting       | Wall-Mounting, Aerial Hanger, Pole-Mount, Buried.   |

\* Hanging and Pole Fixing Accessories must be purchased separately.



# OSCV-120

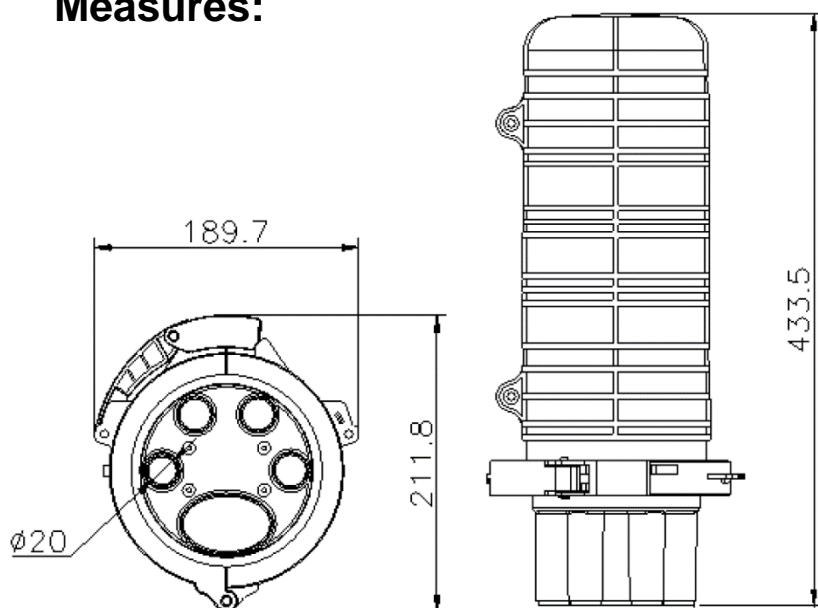
Fiber Optic Vertical Closure (Black)



## Accessories:

| Name                     | Specification                   | Unit | Qty(pcs)                     |
|--------------------------|---------------------------------|------|------------------------------|
| Tube                     | D=Φ4mm thickness<br>0.6mm,white | M    | 2                            |
| Cable splitter           | Size: S                         | Pcs  | 1                            |
| Silver foil              | 15cm*10cm (with adhesive)       | Pcs  | 1                            |
| Heat shrinkable tube     | Φ30*100mm/black                 | Pcs  | 4                            |
| Heat shrinkable tube     | Φ60*150mm/black                 | Pcs  | 1                            |
| Plastic cable tie        | 3mm*120mm/white                 | Pcs  | 5                            |
| Splice protection sleeve | 60MM*3.0*1.5                    | Pcs  | According to Splice quantity |
| Insulating tape          | 0.15*17mm*8 /black              | Pcs  | 1                            |
| Magic tape               | 350MM*15MM*3MM/black            | Pcs  | 1                            |
| Abrasive paper           | 320# (280*60mm)                 | Pcs  | 1                            |
| Aerial kits              | 201 stainless steel             | Sets | 1                            |

## Measures:



## Applications:

- FTTH access network
- Telecommunication Networks
- CATV Networks
- Data communications Networks
- Local Area Networks