

OSCV-72A

Fiber Optic Vertical Splice Closure (Black)



Vertical Fiber Optic Splice Closure OSCV-72A is widely applied to the splicing, distributing variable optical cables and splitting. Contains different size rubber gasket for simplex, FTTH drop cable entry/exit.

Features:

Specifications	
Material	High-impact resistance PP with UV
Adapters	Can be loaded with 36pcs SC simple adapters or 36pcs LC duplex(SC shape) adapters
Splitter	Can load 1 cassette PLC splitter 1*8, 1*16, or 1*32 splitter
Splice Tray	3 PCs, each with 24 cores
Cable ports	5cable ports: <ul style="list-style-type: none">• 4pcs(ϕ18mm)• 1pcs (ϕ42mm,cable no cutting)
Seal	All ports are mechanically sealed
IP Rating	IP68
Wall Mounting	Optional Kit
Aerial Hanger	Included

* Hanging and Pole Fixing Accessories must be purchased separately.

Model	Max Capacity	Dimension	Weight (Kgs)	Splice Tray
OSCV-72A	72 Fibers	ϕ 182.5 ×height 521.1	4 Kgs	3Pc x 24 Ports

OSCV-72A

Fiber Optic Vertical Splice Closure (Black)



Accessories:

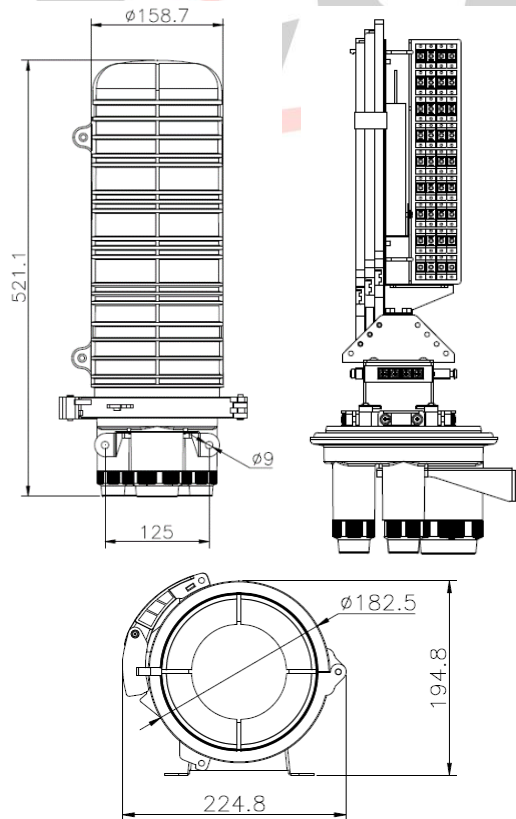
Standard included Accessories:



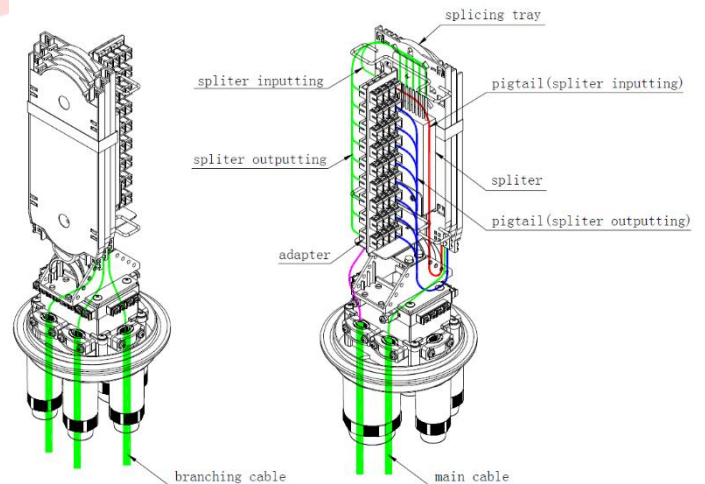
Optional:



Measures:



Cable Distribution:



Applications:

- FTTH access network
- Telecommunication Networks
- CATV Networks
- Data communications Networks
- Local Area Networks